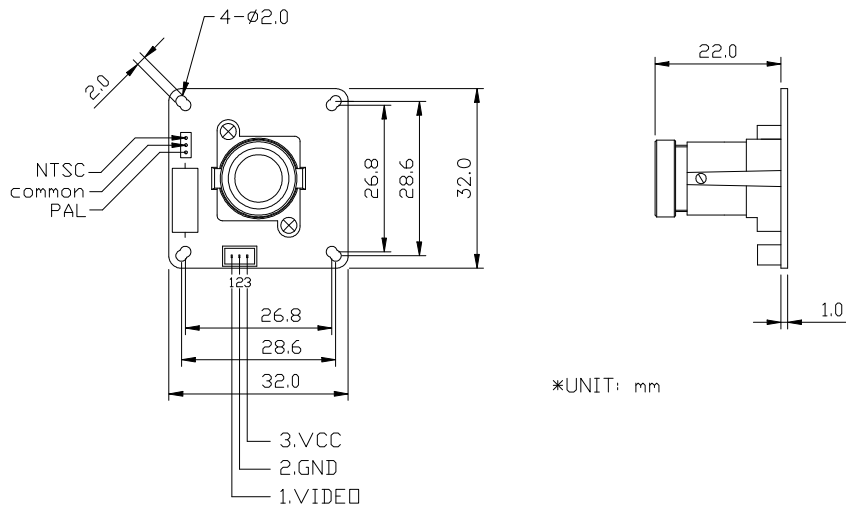


“ CM-26N/P C-MOS COLOR CAMERA MODULE “



Model no	SPEC	
	CM-26N	CM-26P
Description		
IMAGE SENSOR	1/4 Inch 668(H) x 496(V) MICRON C-MOS IMAGE SENSOR	
Effective pixel	640(H) x 480(V)	
Unit Pixel Size	5.6 μm X 5.6 μm	
Scanning system	525 Line 2:1 INTERLACE	625 Line 2:1 INTERLACE
SYNC system	Internal	
Scanning frequency	Horizontal : 15.734 KHz \pm 1% Vertical : 59.94Hz \pm 1%	Horizontal : 15.625 KHz \pm 1% Vertical : 50Hz \pm 1%
Horizontal resolution	420 TV LINES above (center)	
Video output	1.0 \pm 0.2Vp-p / 75 Ω (Video signal : 0.7Vp-p, Sync. signal : 0.3Vp-p)	
S/N RATIO	More than 45dB (AGC off)	
Dynamic Range	60dB	
Min. Illumination	0.1 lx / F1.6(50% of Video Level, AGC ON)	
Shutter Type	Electronic rolling shutter(ERS)	
Lens angle	70°(Default) or Option	
A G C CONTROL	AUTO	
BLC	Built-In	
Dimensions	32(W) x 32(H) x 22(D) \pm 0.3mm	
Operation Temper.	-20 $^{\circ}$ C ~ 60 $^{\circ}$ C	
Power consumption	DC 12V(Tolerance 5V~15V) MAX 50mA (12V)	